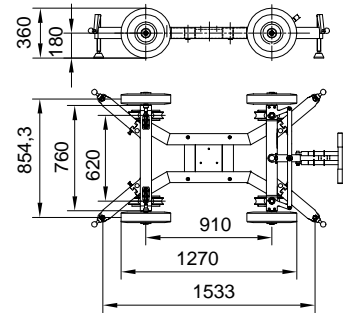
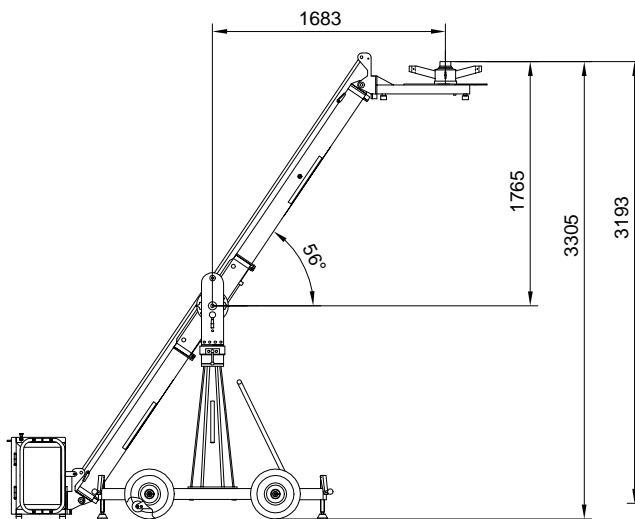


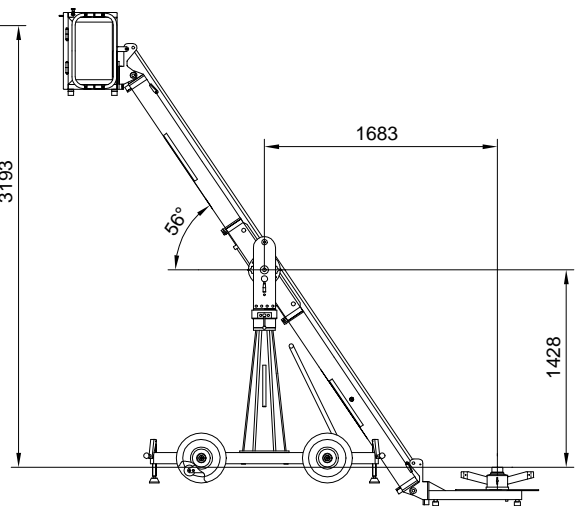
Horizontal position



Dolly (Dimensions are the same in all versions)



Highest position



Lowest position

Pivot height 1540 mm

Rear extension arm required 1270 mm

All measurements are mm !

Front extension arms required	1x1500 mm	Transport height of middle section, assembled	1780 mm
	--	Transport height of rigging harness assembled	--
	--	Counterweight required to balance empty arm	1,5 auf Plattform
Rear extension arm required	1x1270 mm	Max. lift capacity (Working load) (2 pers.+accessories)	250 kg
Total lift range	3193 mm	Counterweight required vor max. load	276 kg
Maximum height	3305 mm		
Arm reach (pivot to camera head mount)	2531 mm	Dolly weight	112 kg
Length of rear end (pivot to outside of weight bucket)	2200 mm	Crane weight (excluding dolly and weights)	149 kg
Pivot height	1540 mm	Transport weight excluding counterweight	261 kg



GF 8-Specifications

Version 1

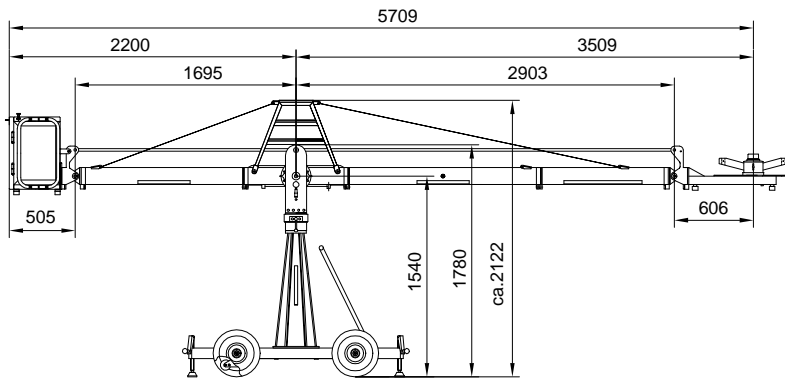
Datenblatt- Nr.:

D140-V1c

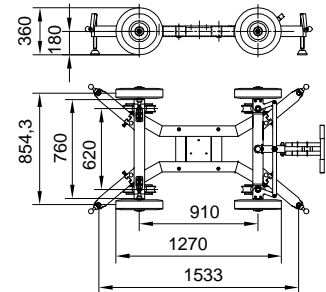
	Name	Datum	Index	Datum	Name
Erstellt	Trautwig	07.01.03	b	18.03.05	Trautwig
Geprüft			c	19.09.05	Trautwig

Zugehörige Zeichnungs-Nr.:

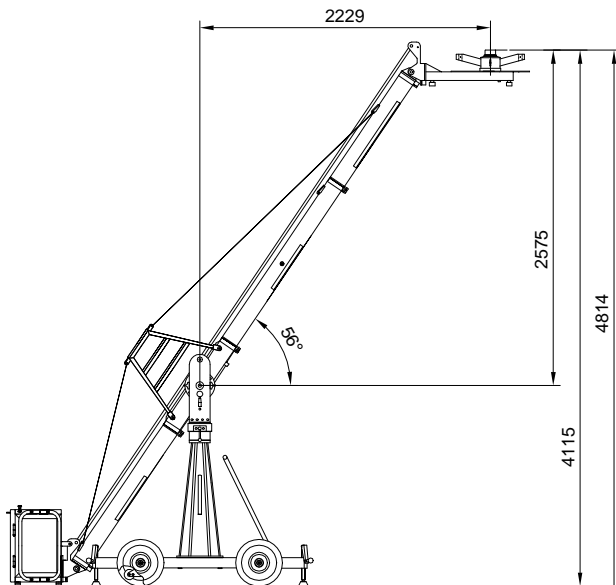
--



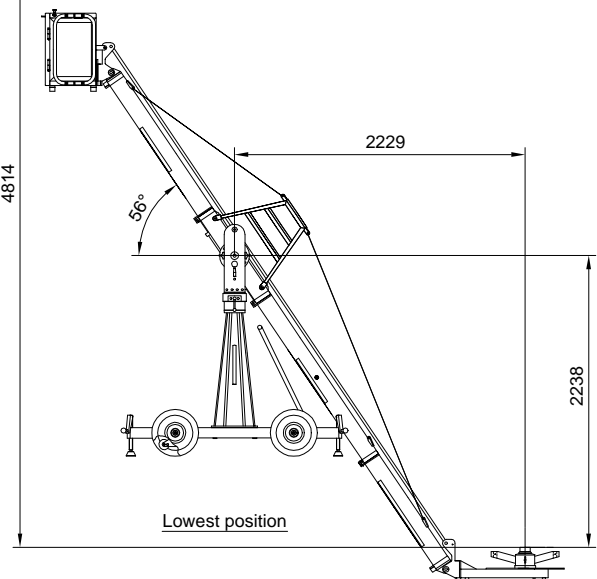
Horizontal position



Dolly (Dimensions are the same in all versions)



Highest position



Lowest position

Pivot height 1540 mm

Rear extension arm required 1270 mm

All measurements are mm !

Front extension arms required	1x1500 mm	Transport height of middle section, assembled	1780 mm
	1x1000 mm	Transport height of rigging harness assembled	ca.2122 mm
	--	Counterweight required to balance empty arm	2x14 kg= 28 kg
Rear extension arm required	1x1270 mm	Max. lift capacity (Working load) (2 pers.+accessories)	250 kg
Total lift range	4814 mm	Counterweight required vor max. load	32x14 kg 1x8 kg =456 kg
Maximum height	4115 mm		
Arm reach (pivot to camera head mount)	3509 mm	Dolly weight	112 kg
Length of rear end (pivot to outside of weight bucket)	2200 mm	Crane weight (excluding dolly and weights)	173 kg
Pivot height	1540 mm	Transport weight excluding counterweight	285 kg



GF 8-Specifications

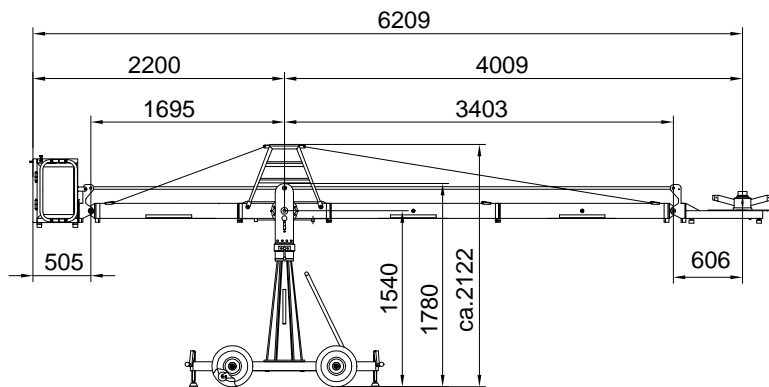
Version 2

Datenblatt- Nr.:

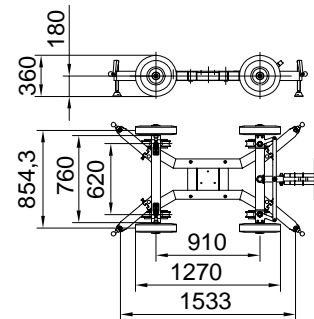
D140-V2d

Name	Datum	Index	Datum	Name
Erstellt	Trautwig	07.01.03	c	27.07.05/Trautwig
Geprüft			d	19.09.05/Trautwig

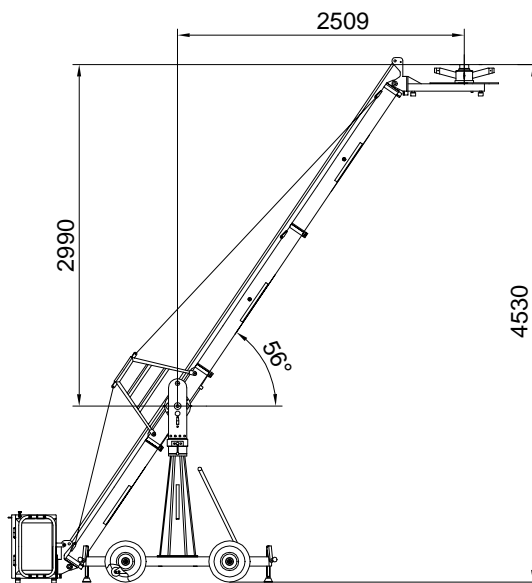
Zugehörige Zeichnungs-Nr.:



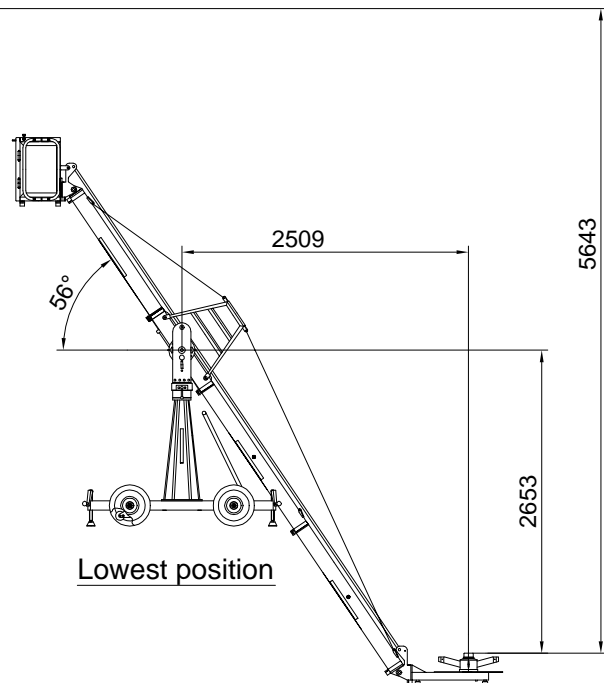
Horizontal position



Dolly (Dimensions are the same in all versions)



Highest position



Lowest position

Pivot height 1540 mm

Rear extension arm required 1270 mm

All measurements are mm !

Front extension arms required	2x1500 mm	Transport height of middle section, assembled	1780 mm
	--	Transport height of rigging harness assembled	ca.2122 mm
	--	Counterweight required to balance empty arm	3x14 kg 1x4kg=46 kg
Rear extension arm required	1x1270 mm	Max. lift capacity (Working load) (2 pers.+accessories)	216 kg
Total lift range	5643 mm	Counterweight required vor max. load	34x14 kg 1x4 kg =480 kg
Maximum height	4530 mm		
Arm reach (pivot to camera head mount)	4009 mm	Dolly weight	112 kg
Length of rear end (pivot to outside of weight bucket)	2200 mm	Crane weight (excluding dolly and weights)	179 kg
Pivot height	1540 mm	Transport weight excluding counterweight	291 kg



GF 8-Specifications

Version 3

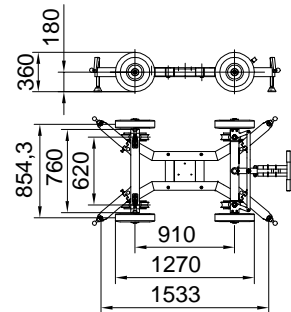
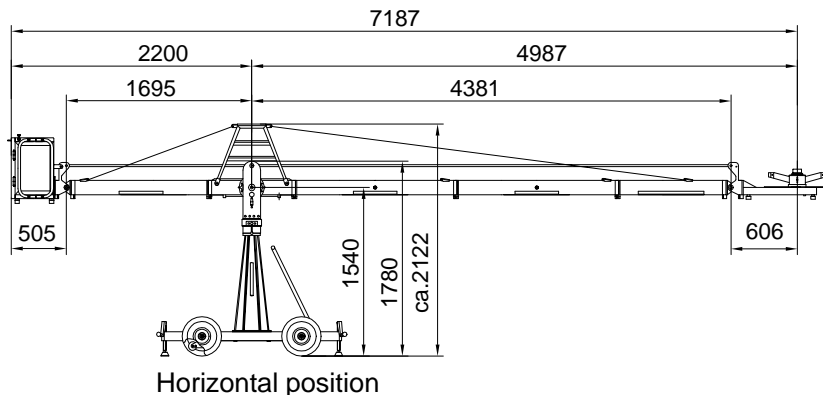
Datenblatt- Nr.:

D140-V3c

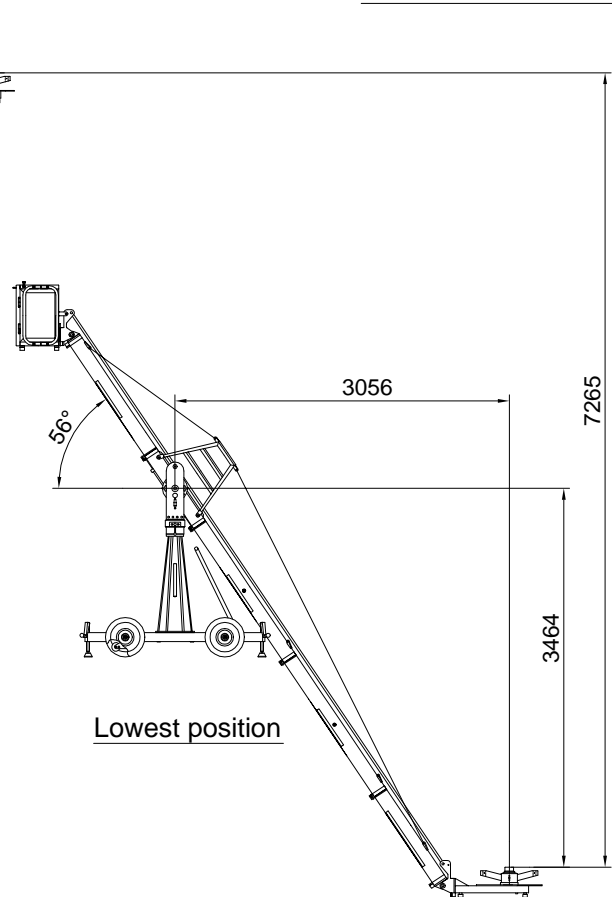
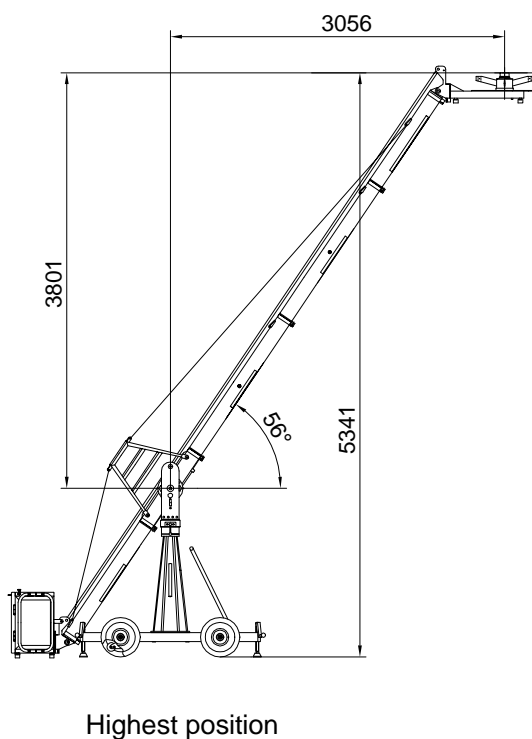
Name	Datum	Index	Datum	Name
Erstellt	Trautwig	07.01.03	b	18.03.05
Geprüft			c	19.09.05

Zugehörige Zeichnungs-Nr.:

--



Dolly (Dimensions are the same in all versions)



All measurements are mm !

Pivot height 1540 mm

Rear extension arm required 1270 mm

Front extension arms required	2x1500 mm	Transport height of middle section, assembled	1780 mm
	1x1000 mm	Transport height of rigging harness assembled	ca. 2122 mm
	--	Counterweight required to balance empty arm	6x14 kg 1x4kg=88 kg
Rear extension arm required	1x1270 mm	Max. lift capacity (Working load) (1 pers.+accessories)	150 kg
Total lift range	7265 mm	Counterweight required vor max. load	34x14 kg 1x4 kg =480 kg
Maximum height	5340 mm		
Arm reach (pivot to camera head mount)	4987 mm	Dolly weight	112 kg
Length of rear end (pivot to outside of weight bucket)	2200 mm	Crane weight (excluding dolly and weights)	191 kg
Pivot height	1540 mm	Transport weight excluding counterweight	303 kg



GF 8-Specifications

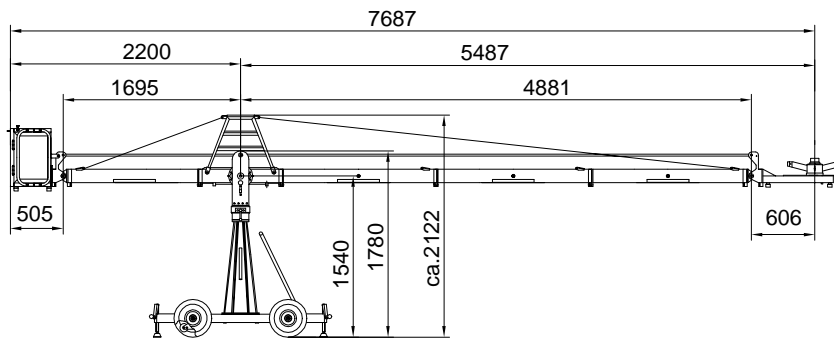
Version 4

Datenblatt- Nr.:

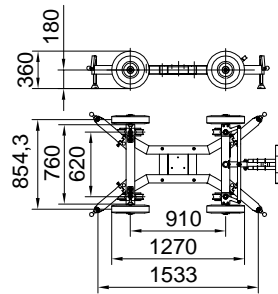
D140-V4c

Name	Datum	Index	Datum	Name	
Erstellt	Trautwig	07.01.03	b	18.03.05	Trautwig
Geprüft			c	19.09.05	Trautwig

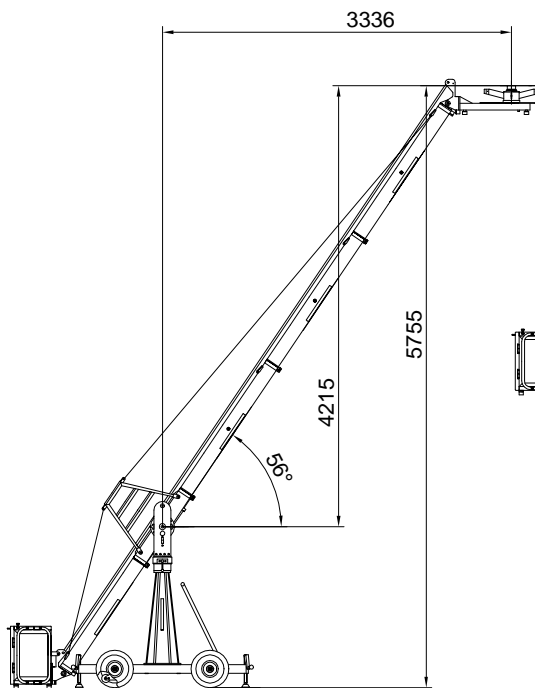
Zugehörige Zeichnungs-Nr.:



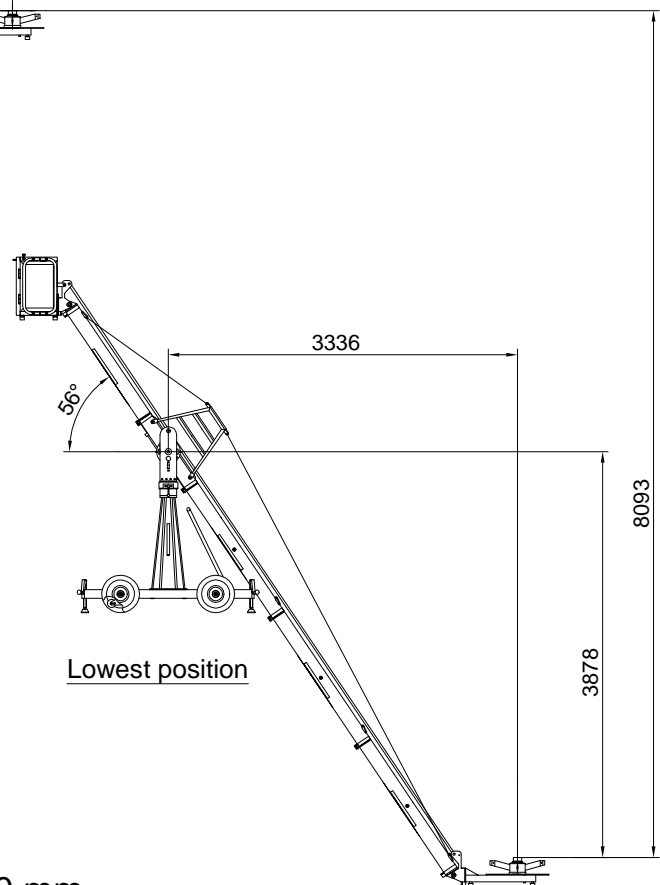
Horizontal position



Dolly (Dimensions are the same in all versions)



Highest position



Lowest position

All measurements are mm !
 Pivot height 1540 mm
 Rear extension arm required 1270 mm

Front extension arms required	3x1500 mm	Transport height of middle section, assembled	1780 mm
	--	Transport height of rigging harness assembled	ca.2122 mm
	--	Counterweight required to balance empty arm	8x14kg=112kg
Rear extension arm required	1x1270 mm	Max. lift capacity (Working load) (1 pers.+accessories)	128 kg
Total lift range	8093 mm	Counterweight required vor max. load	34x14 kg
Maximum height	5755 mm		1x4 kg =480 kg
Arm reach (pivot to camera head mount)	5487 mm	Dolly weight	112 kg
Length of rear end (pivot to outside of weight bucket)	2200 mm	Crane weight (excluding dolly and weights)	197 kg
Pivot height	1540 mm	Transport weight excluding counterweight	309 kg



GF 8-Specifications

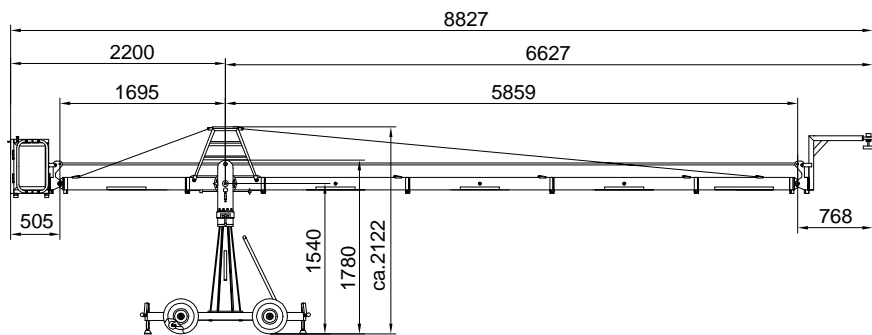
Version 5

Datenblatt- Nr.:

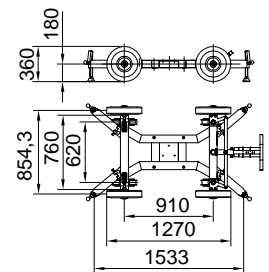
D140-V5c

Name	Datum	Index	Datum	Name
Erstellt	Trautwig	20.12.02	b	18.03.05/Trautwig
Geprüft			c	19.09.05/Trautwig

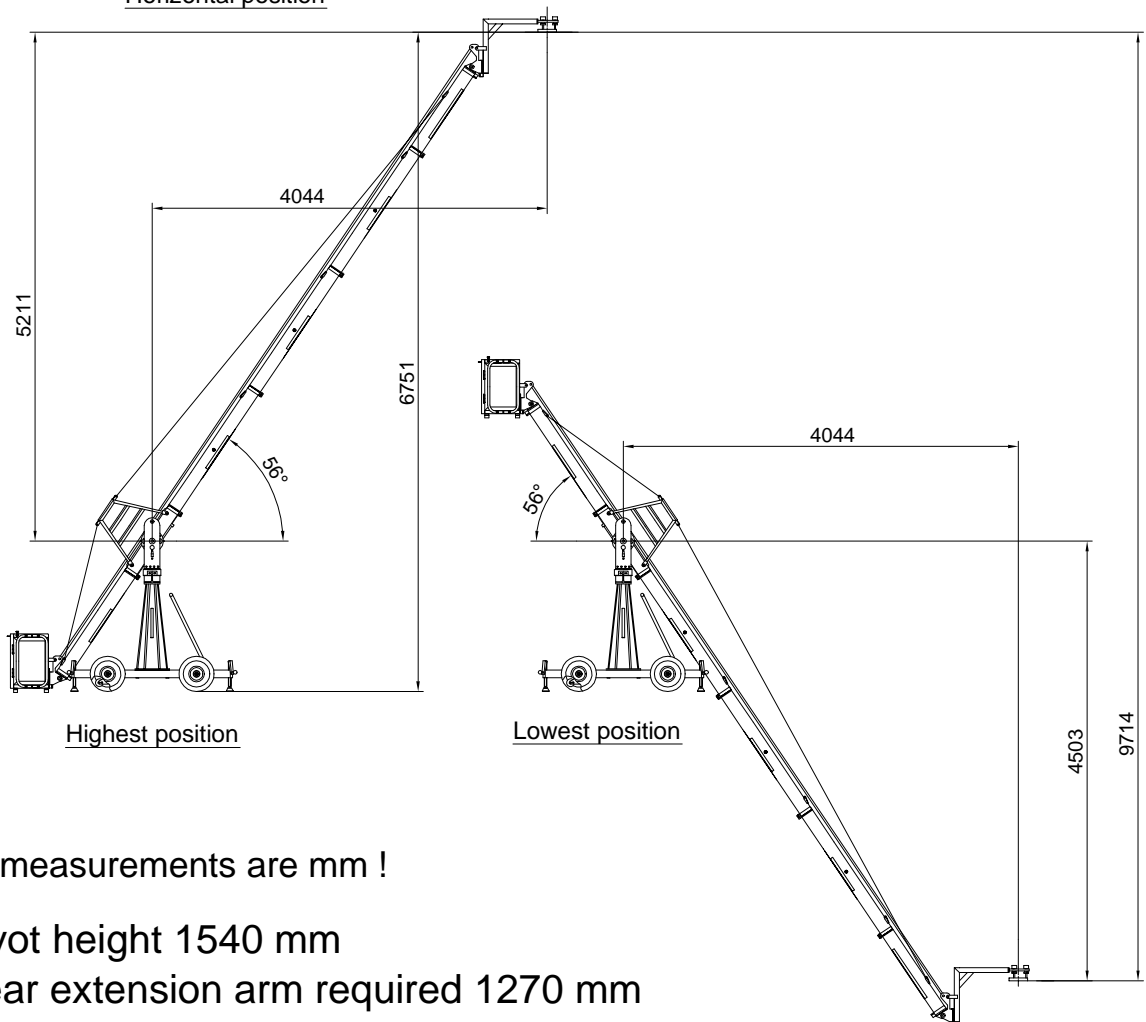
Zugehörige Zeichnungs-Nr.:



Horizontal position



Dolly (Dimensions are the same in all versions)



Highest position

Lowest position

All measurements are mm !

Pivot height 1540 mm

Rear extension arm required 1270 mm

Front extension arms required	3x1500 mm	Transport height of middle section, assembled	1780 mm
	1x1000 mm	Transport height of rigging harness assembled	ca.2122 mm
	--	Counterweight required to balance empty arm	10x14 kg= 140 kg
Rear extension arm required	1x 1270 mm	Max. lift capacity (Working load)	80 kg
Total lift range	9714 mm	Counterweight required vor max. load	30x14 kg= 420 kg
Maximum height	6751 mm		
Arm reach (pivot to camera head mount)	6627 mm	Dolly weight	112 kg
Length of rear end (pivot to outside of weight bucket)	2200 mm	Crane weight (excluding dolly and weights)	199 kg
Pivot height	1540 mm	Transport weight excluding counterweight	311 kg



GF 8-Specifications

Version 6

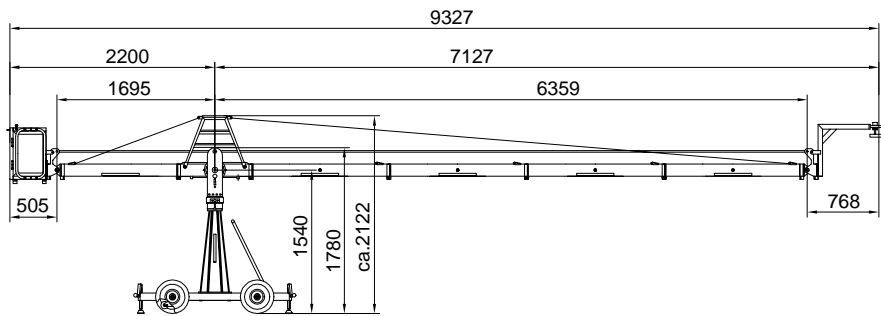
Datenblatt- Nr.:

D140-V6c

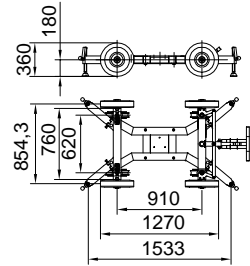
	Name	Datum	Index	Datum	Name
Erstellt	Trautwig	07.01.03	b	18.03.05	Trautwig
Geprüft			c	19.09.05	Trautwig

Zugehörige Zeichnungs-Nr.:

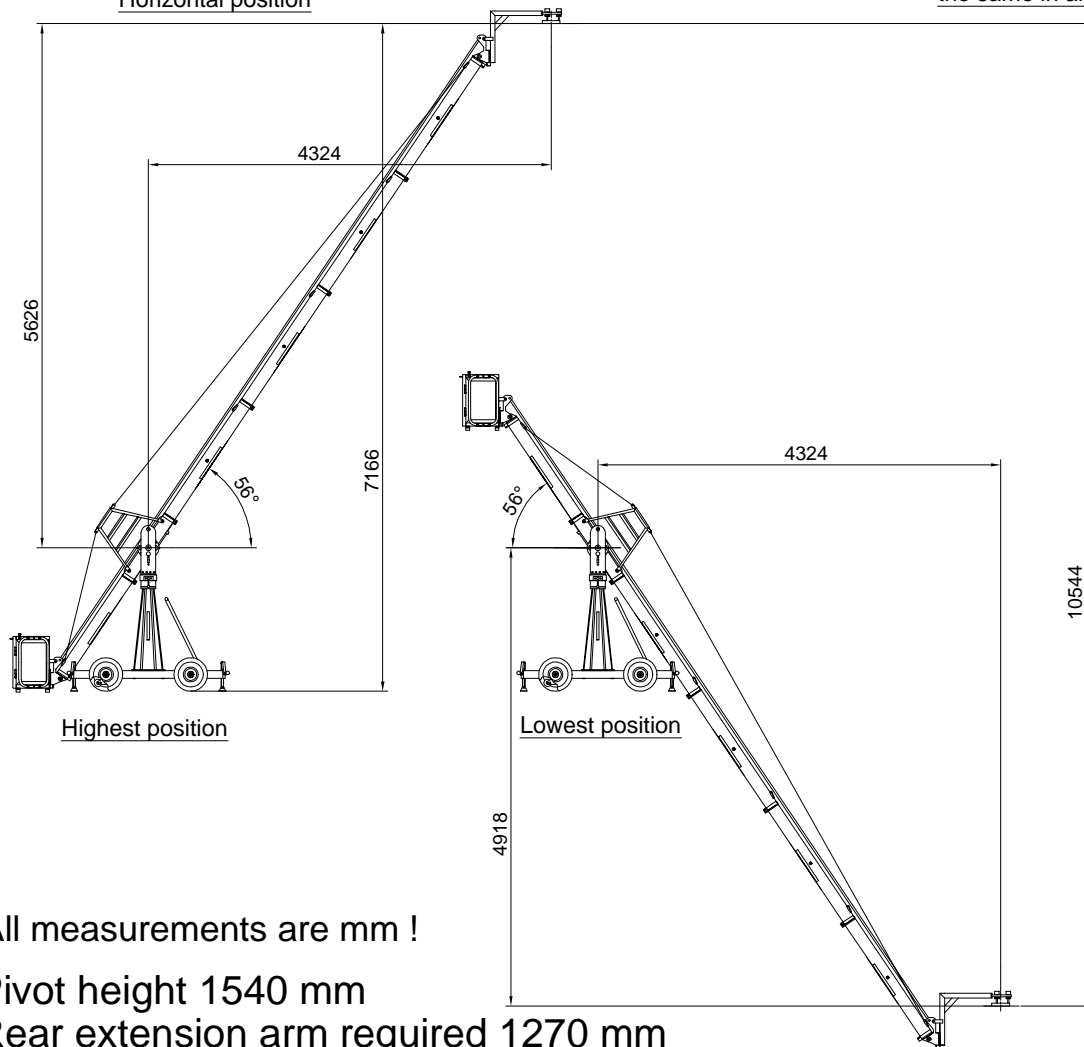
--



Horizontal position



Dolly (Dimensions are the same in all versions)



Highest position

Lowest position

All measurements are mm !

Pivot height 1540 mm

Rear extension arm required 1270 mm

Front extension arms required	4x1500 mm	Transport height of middle section, assembled	1780 mm
	--	Transport height of rigging harness assembled	ca.2122 mm
	--	Counterweight required to balance empty arm	12x14 kg 1x4kg=172 kg
Rear extension arm required	1x 1270 mm	Max. lift capacity (Working load)	80 kg
Total lift range	10544 mm	Counterweight required vor max. load	34x14 kg= 476 kg
Maximum height	7166 mm		
Arm reach (pivot to camera head mount)	7127 mm	Dolly weight	112 kg
Length of rear end (pivot to outside of weight bucket)	2200 mm	Crane weight (excluding dolly and weights)	206 kg
Pivot height	1540 mm	Transport weight excluding counterweight	318 kg



GF 8-Specifications

Version 7

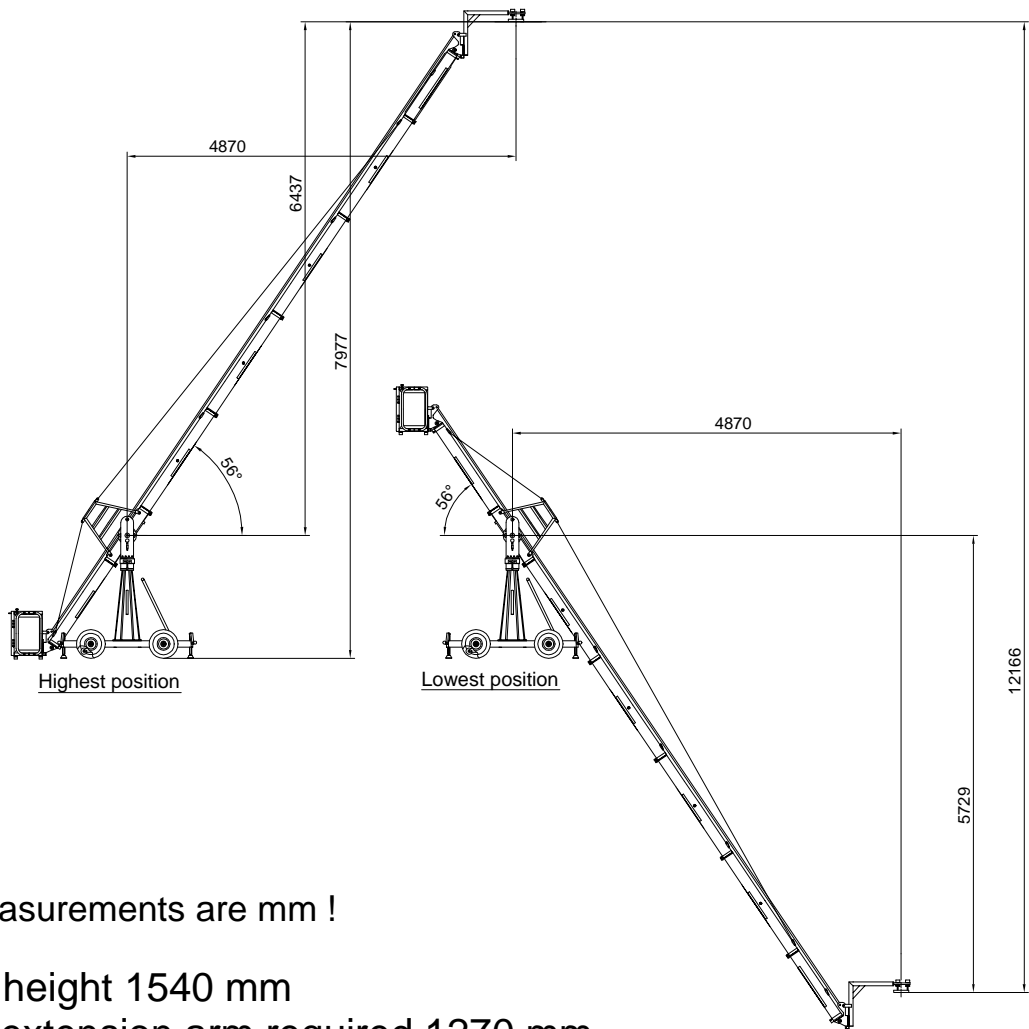
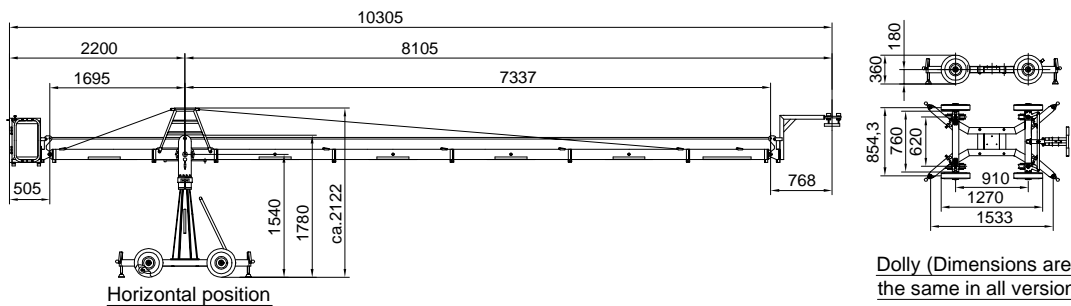
Datenblatt- Nr.:

D140-V7d

Name	Datum	Index	Datum	Name
Erstellt	Trautwig	07.01.03	c	27.07.05
Geprüft			d	19.09.05

Zugehörige Zeichnungs-Nr.:

--



All measurements are mm !

Pivot height 1540 mm

Rear extension arm required 1270 mm

Front extension arms required	4x1500 mm	Transport height of middle section, assembled	1780 mm
	1x1000 mm	Transport height of rigging harness assembled	ca.2122 mm
	--	Counterweight required to balance empty arm	16x14 kg 1x4kg=228 kg
Rear extension arm required	1x 1270 mm	Max. lift capacity (Working load)	50 kg
Total lift range	12166 mm	Counterweight required vor max. load	34x14 kg 1x4 kg =480 kg
Maximum height	7977 mm		
Arm reach (pivot to camera head mount)	8105 mm	Dolly weight	112 kg
Length of rear end (pivot to outside of weight bucket)	2200 mm	Crane weight (excluding dolly and weights)	217 kg
Pivot height	1540 mm	Transport weight excluding counterweight	329 kg



GF 8-Specifications

Version 8/1540 DP

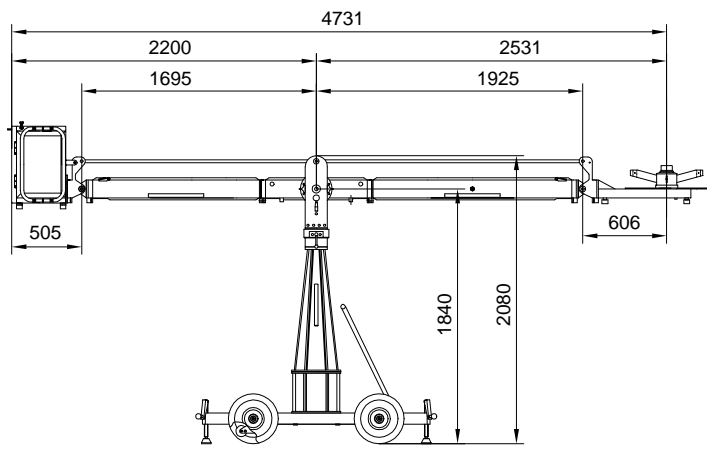
Datenblatt- Nr.:

D140-V8c

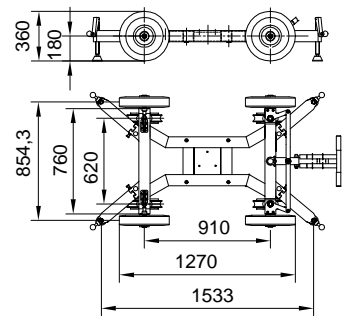
	Name	Datum	Index	Datum	Name
Erstellt	Trautwig	07.01.03	b	05.06.03	Trautwig
Geprüft			b	18.03.05	Trautwig

Zugehörige Zeichnungs-Nr.:

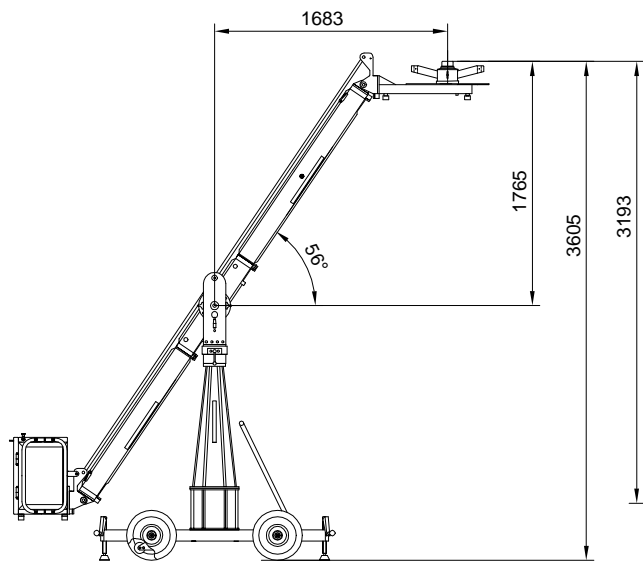
--



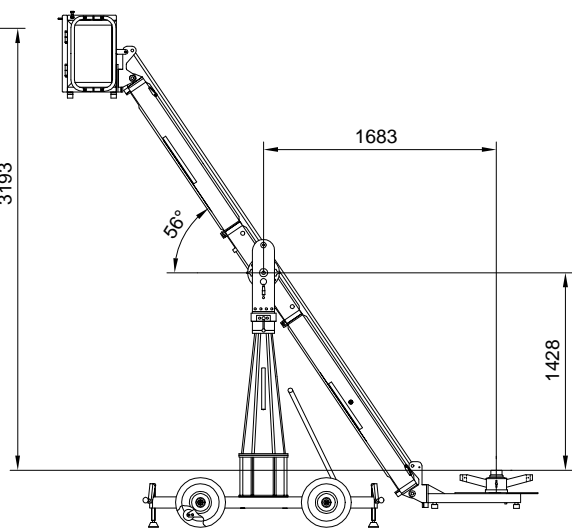
Horizontal position



Dolly (Dimensions are the same in all versions)



Highest position



Lowest position

Pivot height 1840 mm

Rear extension arm required 1270 mm

All measurements are mm !

Front extension arms required	1x1500 mm	Transport height of middle section, assembled	2080 mm
	--	Transport height of rigging harness assembled	--
	--	Counterweight required to balance empty arm	1,5 auf Plattform
Rear extension arm required	1x1270 mm	Max. lift capacity (Working load) (2 pers.+accessories)	250 kg
Total lift range	3193 mm	Counterweight required vor max. load	276 kg
Maximum height	3605 mm		
Arm reach (pivot to camera head mount)	2531 mm	Dolly weight	112 kg
Length of rear end (pivot to outside of weight bucket)	2200 mm	Crane weight (excluding dolly and weights)	160 kg
Pivot height	1840 mm	Transport weight excluding counterweight	272 kg



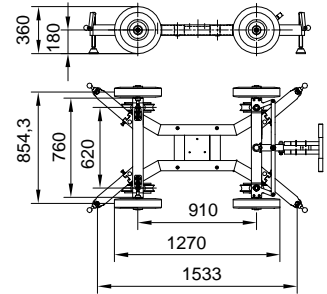
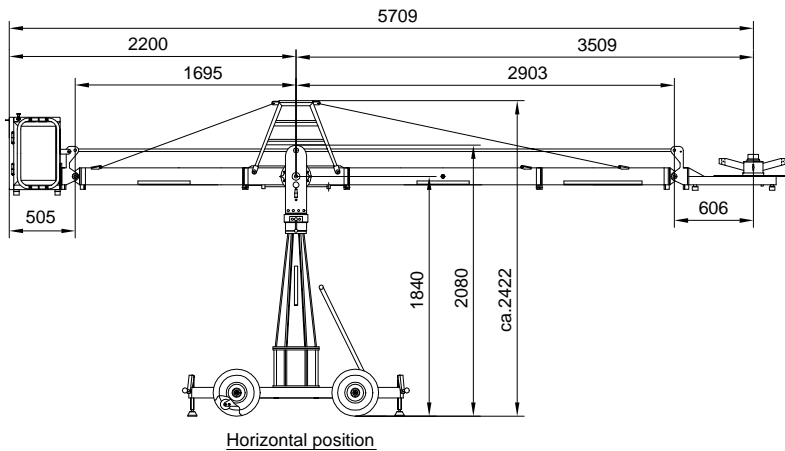
GF 8-Specifications

Version 9

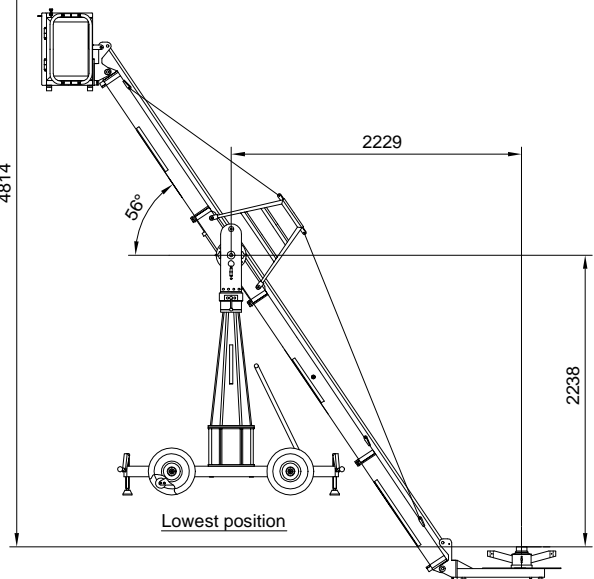
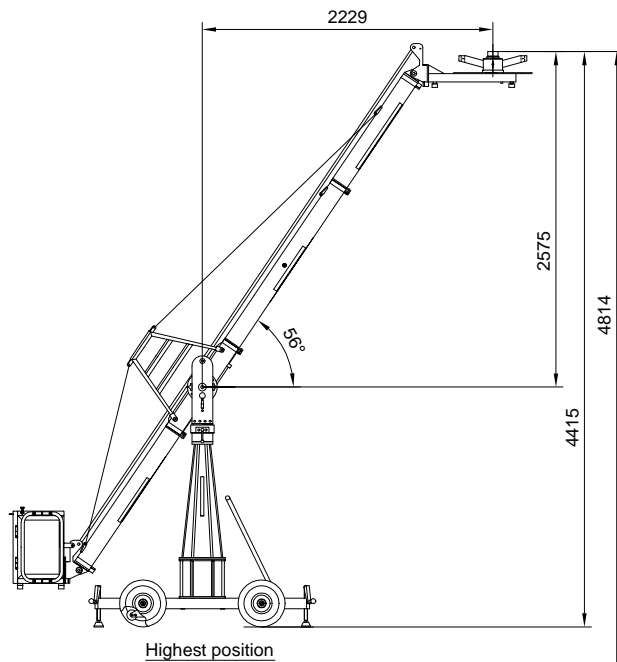
Datenblatt- Nr.:

D140-V9

	Name	Datum	Index	Datum	Name	Zugehörige Zeichnungs-Nr.:
Erstellt	Trautwig	07.01.03	c	27.07.05	Trautwig	
Geprüft			d	19.09.05	Trautwig	



Dolly (Dimensions are the same in all versions)



Pivot height 1840 mm

Rear extension arm required 1270 mm

All measurements are mm !

Front extension arms required	1x1500 mm	Transport height of middle section, assembled	2080 mm
	1x1000 mm	Transport height of rigging harness assembled	ca.2422 mm
	--	Counterweight required to balance empty arm	2x14 kg= 28 kg
Rear extension arm required	1x1270 mm	Max. lift capacity (Working load) (2 pers.+accessories)	250 kg
Total lift range	4814 mm	Counterweight required vor max. load	32x14 kg 1x8 kg =456 kg
Maximum height	4415 mm		
Arm reach (pivot to camera head mount)	3509 mm	Dolly weight	112 kg
Length of rear end (pivot to outside of weight bucket)	2200 mm	Crane weight (excluding dolly and weights)	184 kg
Pivot height	1840 mm	Transport weight excluding counterweight	296 kg



GF 8-Specifications

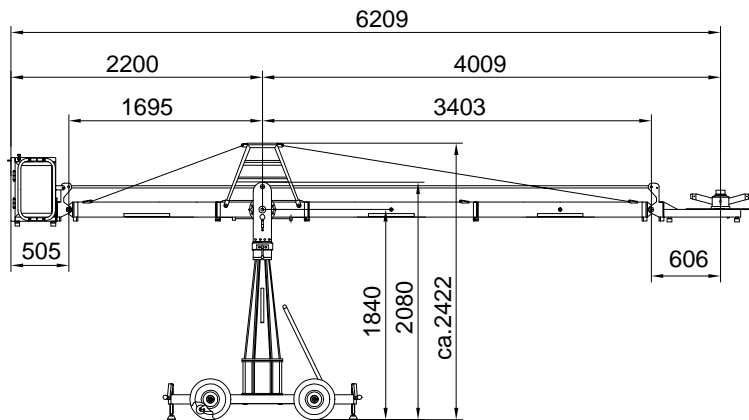
Version 10

Datenblatt- Nr.:

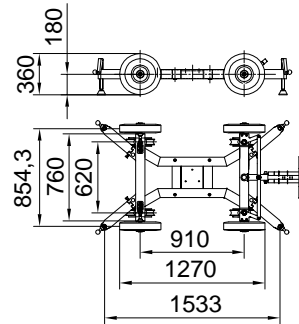
D140-V10d

Name	Datum	Index	Datum	Name	
Erstellt	Trautwig	07.01.03	c	18.03.05	Trautwig
Geprüft			d	19.09.05	Trautwig

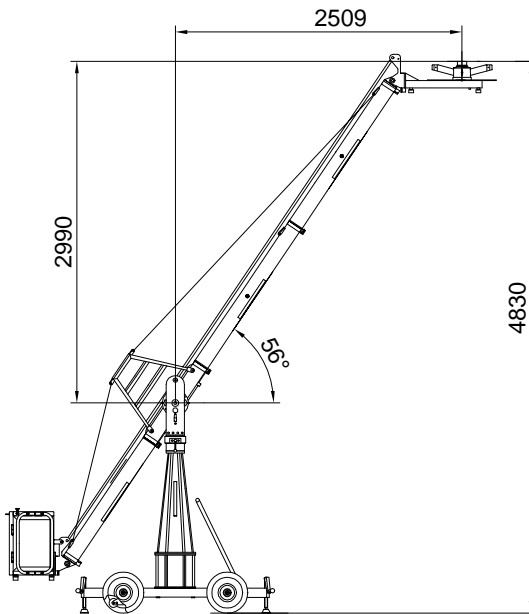
Zugehörige Zeichnungs-Nr.:



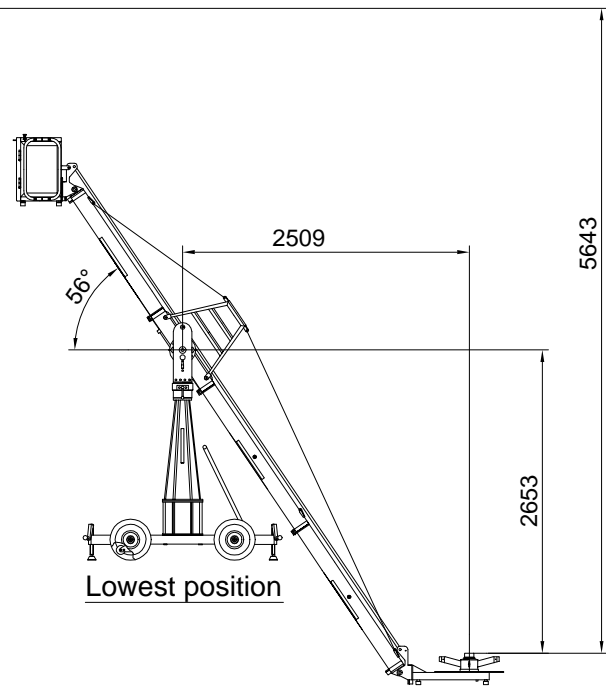
Horizontal position



Dolly (Dimensions are the same in all versions)



Highest position



Lowest position

Pivot height 1840 mm

Rear extension arm required 1270 mm

All measurements are mm !

Front extension arms required	2x1500 mm	Transport height of middle section, assembled	2080 mm
	--	Transport height of rigging harness assembled	ca.2422 mm
	--	Counterweight required to balance empty arm	3x14 kg 1x4kg=46 kg
Rear extension arm required	1x1270 mm	Max. lift capacity (Working load) (2 pers.+accessories)	216 kg
Total lift range	5643 mm	Counterweight required vor max. load	34x14 kg 1x4 kg =480 kg
Maximum height	4830 mm		
Arm reach (pivot to camera head mount)	4009 mm	Dolly weight	112 kg
Length of rear end (pivot to outside of weight bucket)	2200 mm	Crane weight (excluding dolly and weights)	190 kg
Pivot height	1840 mm	Transport weight excluding counterweight	302 kg



GF 8-Specifications

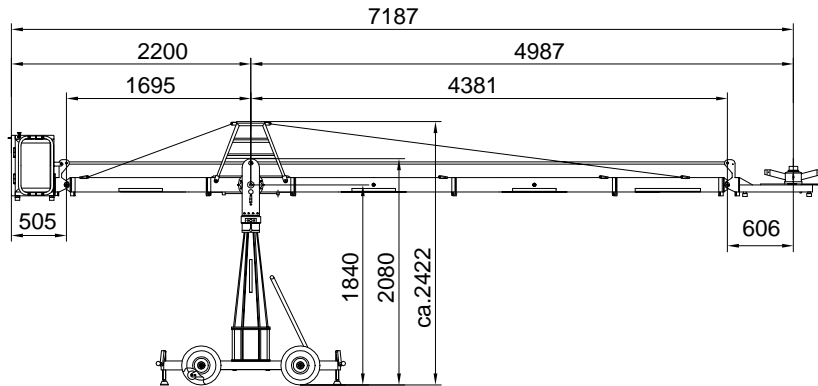
Version 11

Datenblatt- Nr.:

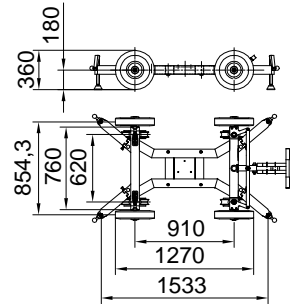
D140-V11d

Name	Datum	Index	Datum	Name
Erstellt	Trautwig	07.01.03	c	27.07.05/Trautwig
Geprüft			d	19.09.05/Trautwig

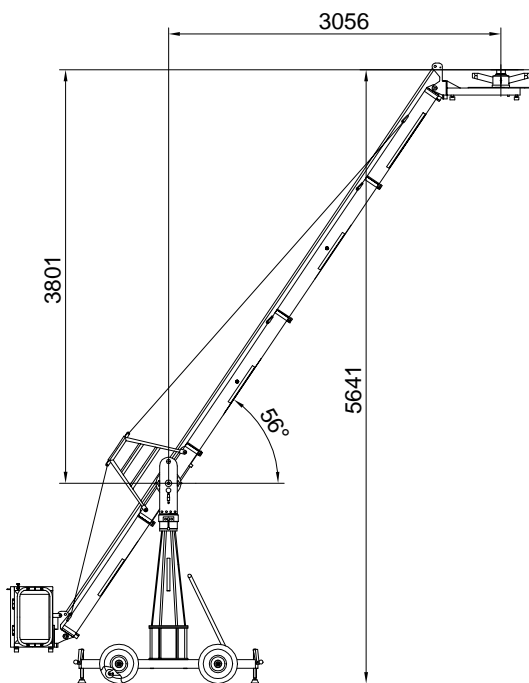
Zugehörige Zeichnungs-Nr.:



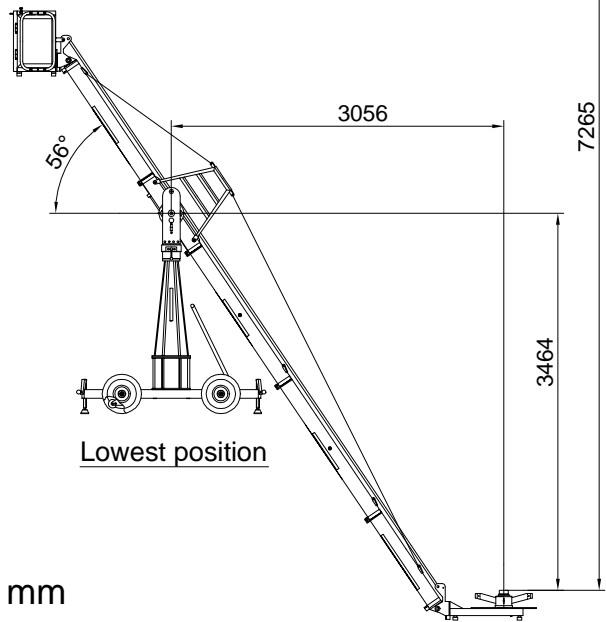
Horizontal position



Dolly (Dimensions are the same in all versions)



Highest position



Lowest position

All measurements are mm !

Rear extension arm required 1270 mm

Given heights are with 300 mm Mounting Column Extension

Front extension arms required	2x1500 mm	Transport height of middle section, assembled	2080 mm
	1x1000 mm	Transport height of rigging harness assembled	ca.2422 mm
	--	Counterweight required to balance empty arm	6x14 kg 1x4kg=88 kg
Rear extension arm required	1x1270 mm	Max. lift capacity (Working load) (1 pers.+accessories)	150 kg
Total lift range	7265 mm	Counterweight required vor max. load	34x14 kg 1x4 kg =480 kg
Maximum height	5640 mm		
Arm reach (pivot to camera head mount)	4987 mm	Dolly weight	112 kg
Length of rear end (pivot to outside of weight bucket)	2200 mm	Crane weight (excluding dolly and weights)	202 kg
Pivot height	1840 mm	Transport weight excluding counterweight	314 kg



GF 8-Specifications

Version 12

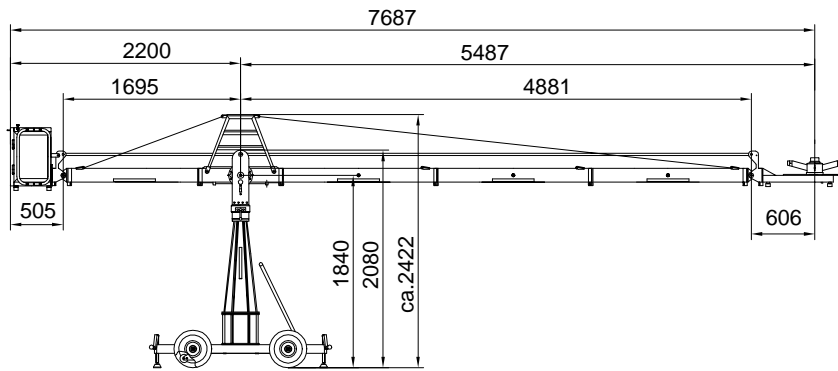
Datenblatt- Nr.:

D140-V12d

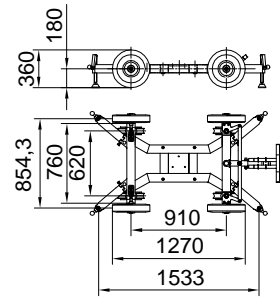
Name	Datum	Index	Datum	Name
Erstellt	Trautwig	07.01.03	c	27.07.05/Trautwig
Geprüft			d	19.09.05/Trautwig

Zugehörige Zeichnungs-Nr.:

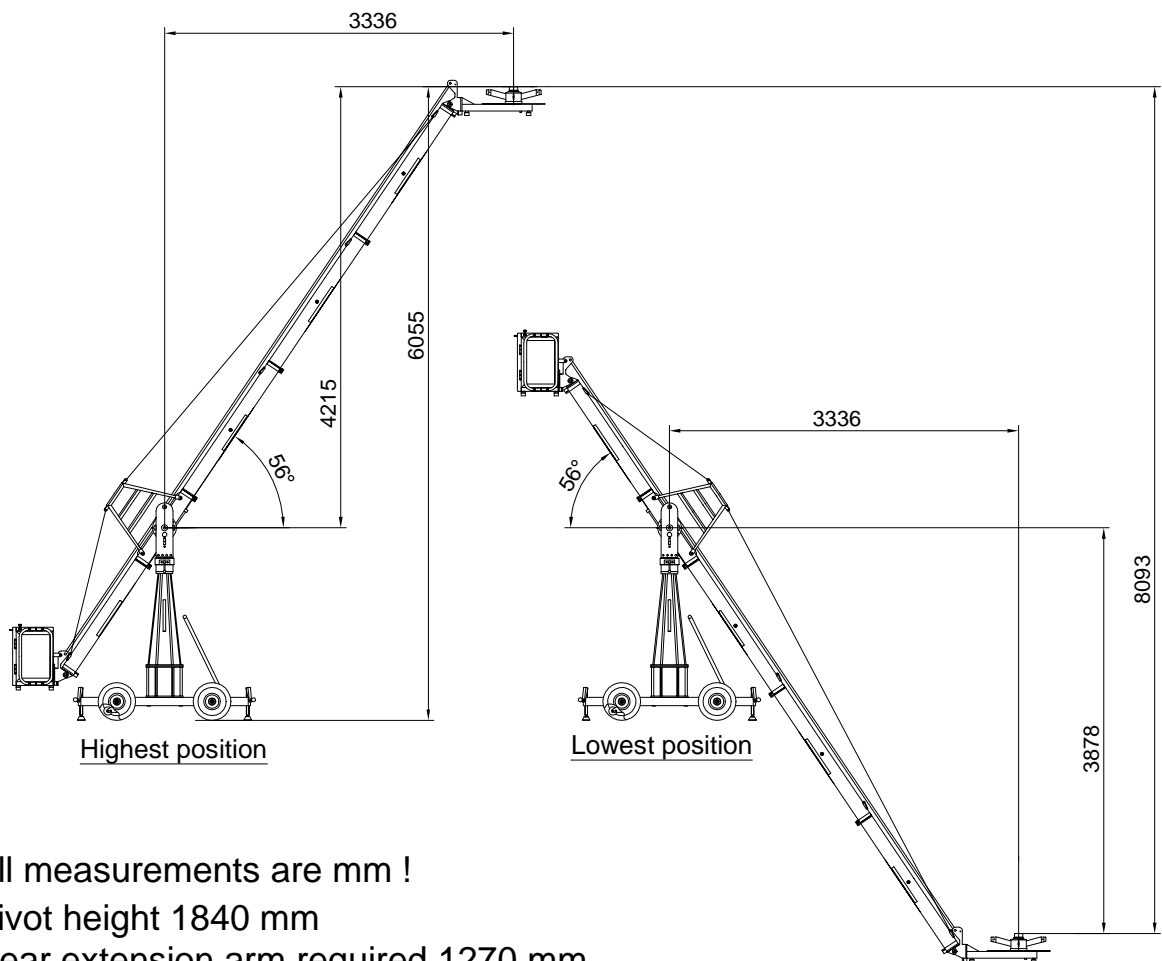
--



Horizontal position



Dolly (Dimensions are the same in all versions)



Highest position

Lowest position

All measurements are mm !
 Pivot height 1840 mm
 Rear extension arm required 1270 mm

Front extension arms required	3x1500 mm	Transport height of middle section, assembled	2080 mm
	--	Transport height of rigging harness assembled	ca.2422 mm
	--	Counterweight required to balance empty arm	8x14kg=112kg
Rear extension arm required	1x1270 mm	Max. lift capacity (Working load) (1 pers.+accessories)	130 kg
Total lift range	8093 mm	Counterweight required vor max. load	34x14 kg 1x4 kg =480 kg
Maximum height	6055 mm		
Arm reach (pivot to camera head mount)	5487 mm	Dolly weight	112 kg
Length of rear end (pivot to outside of weight bucket)	2200 mm	Crane weight (excluding dolly and weights)	208 kg
Pivot height	1840 mm	Transport weight excluding counterweight	320 kg



GF 8-Specifications

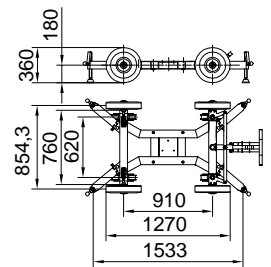
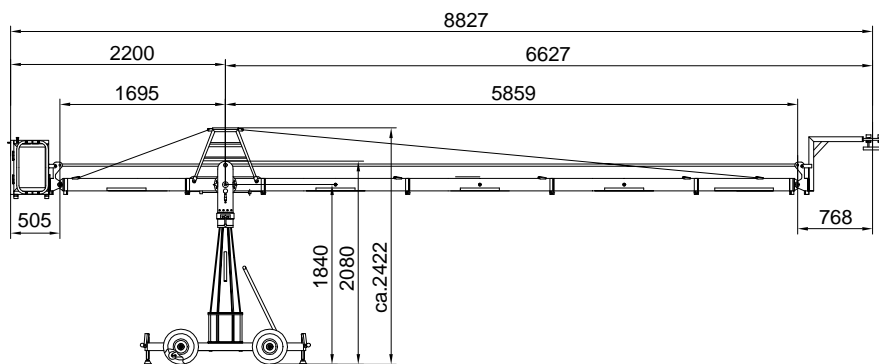
Version 13

Datenblatt- Nr.:

D140-V13d

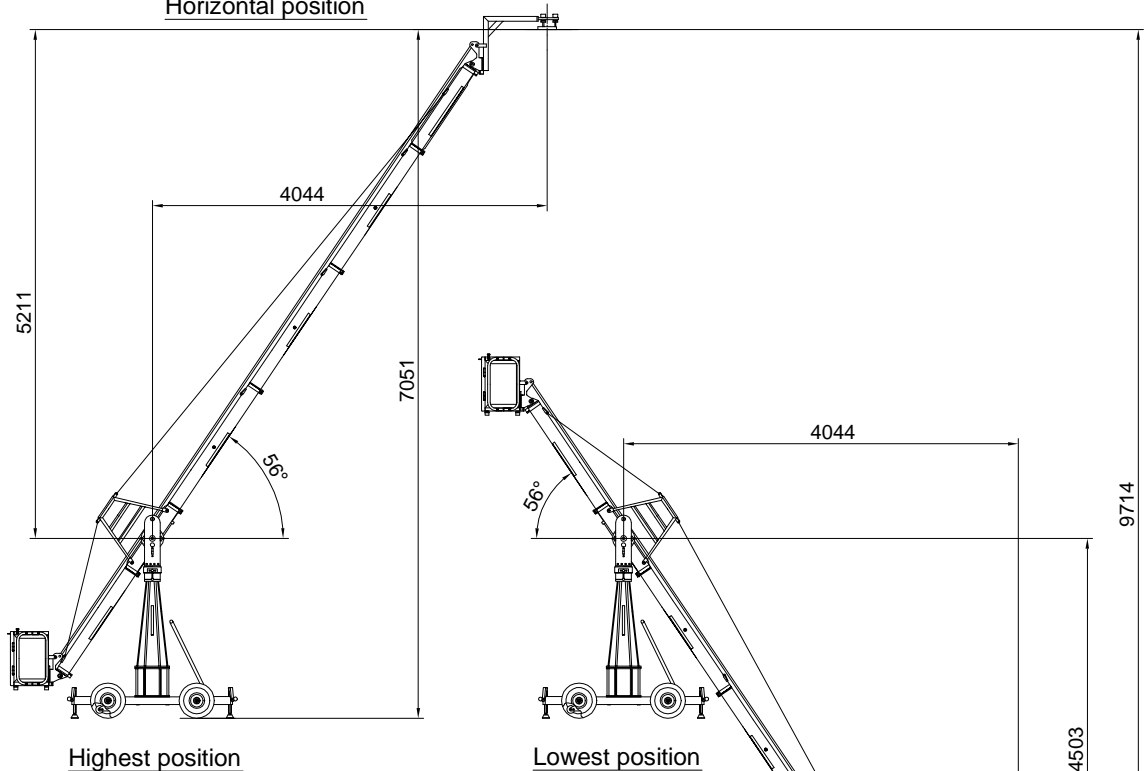
Name	Datum	Index	Datum	Name
Erstellt	Trautwig	07.01.03	c	27.07.05/Trautwig
Geprüft			d	19.09.05/Trautwig

Zugehörige Zeichnungs-Nr.:



Dolly (Dimensions are the same in all versions)

Horizontal position



Highest position

Lowest position

All measurements are mm !
 Pivot height 1840 mm
 Rear extension arm required 1270 mm

Front extension arms required	3x1500 mm	Transport height of middle section, assembled	2080 mm
	1x1000 mm	Transport height of rigging harness assembled	ca.2422 mm
	--	Counterweight required to balance empty arm	10x14 kg= 140 kg
Rear extension arm required	1x 1270 mm	Max. lift capacity (Working load)	80 kg
Total lift range	9714 mm	Counterweight required vor max. load	30x14 kg= 420 kg
Maximum height	7051 mm		
Arm reach (pivot to camera head mount)	6627 mm	Dolly weight	112 kg
Length of rear end (pivot to outside of weight bucket)	2200 mm	Crane weight (excluding dolly and weights)	210 kg
Pivot height	1840 mm	Transport weight excluding counterweight	322 kg



GF 8-Specifications

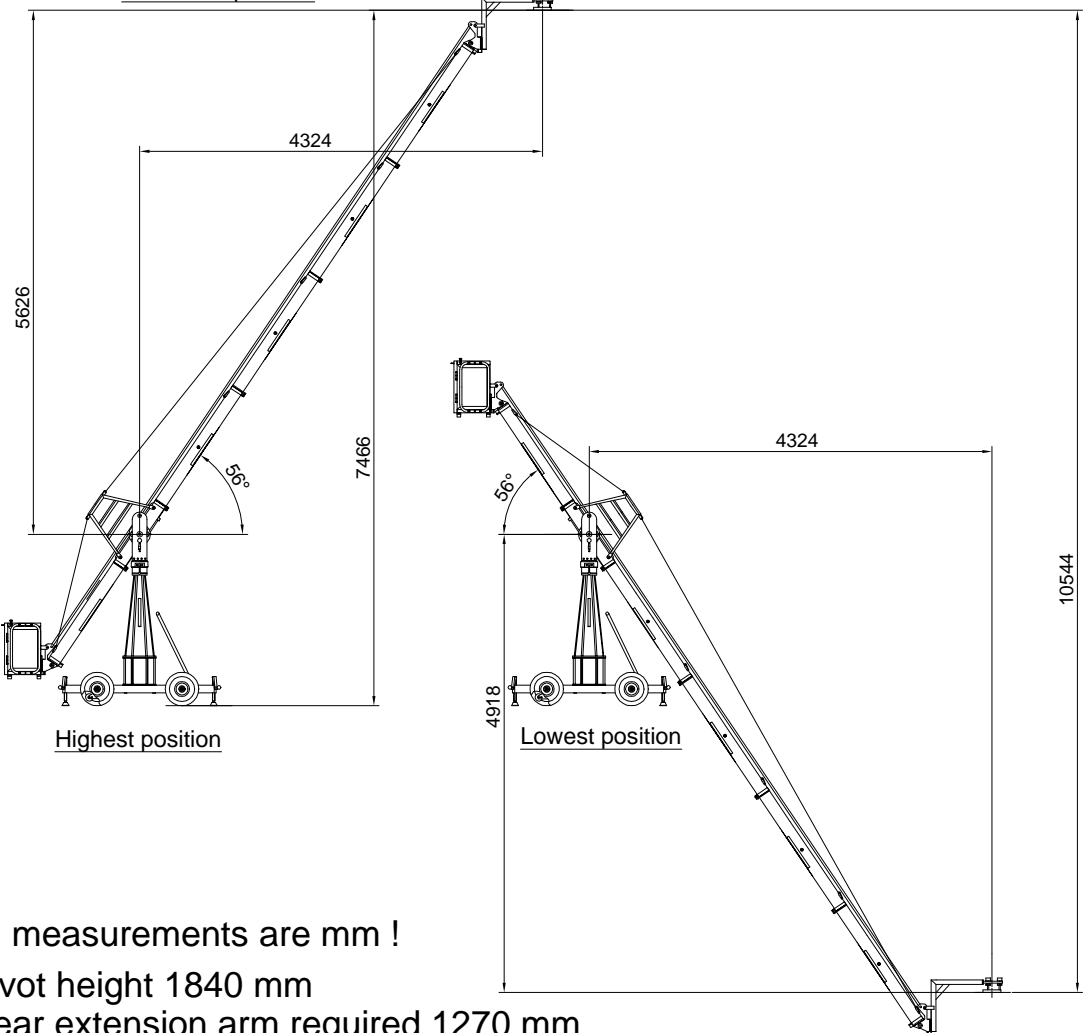
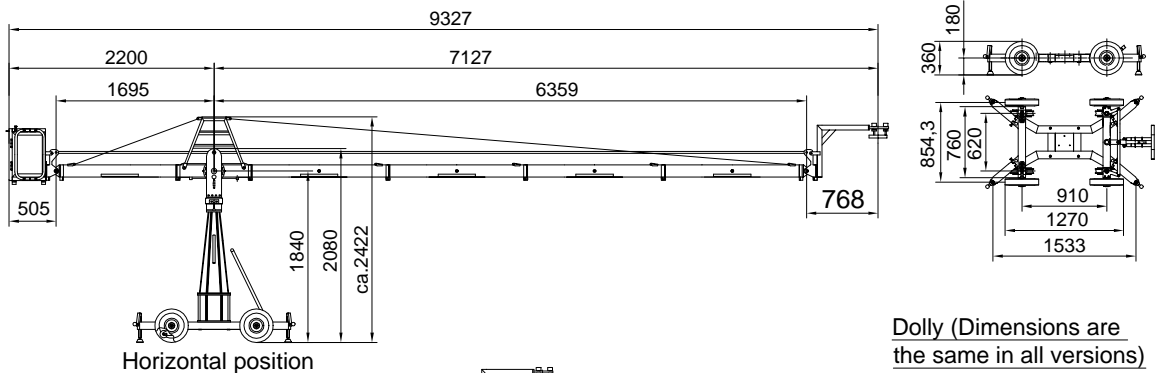
Version 14

Datenblatt- Nr.:

D140-V14d

Name	Datum	Index	Datum	Name
Erstellt	Trautwig	07.01.03	c	27.07.05/Trautwig
Geprüft			d	19.09.05/Trautwig

Zugehörige Zeichnungs-Nr.:



All measurements are mm !
 Pivot height 1840 mm
 Rear extension arm required 1270 mm

Front extension arms required	4x1500 mm	Transport height of middle section, assembled	2080 mm
	--	Transport height of rigging harness assembled	ca.2422 mm
	--	Counterweight required to balance empty arm	12x14 kg 1x4kg=172 kg
Rear extension arm required	1x 1270 mm	Max. lift capacity (Working load)	80 kg
Total lift range	10544 mm	Counterweight required vor max. load	34x14 kg= 476 kg
Maximum height	7466 mm		
Arm reach (pivot to camera head mount)	7127 mm	Dolly weight	112 kg
Length of rear end (pivot to outside of weight bucket)	2200 mm	Crane weight (excluding dolly and weights)	217 kg
Pivot height	1840 mm	Transport weight excluding counterweight	329 kg



GF 8-Specifications

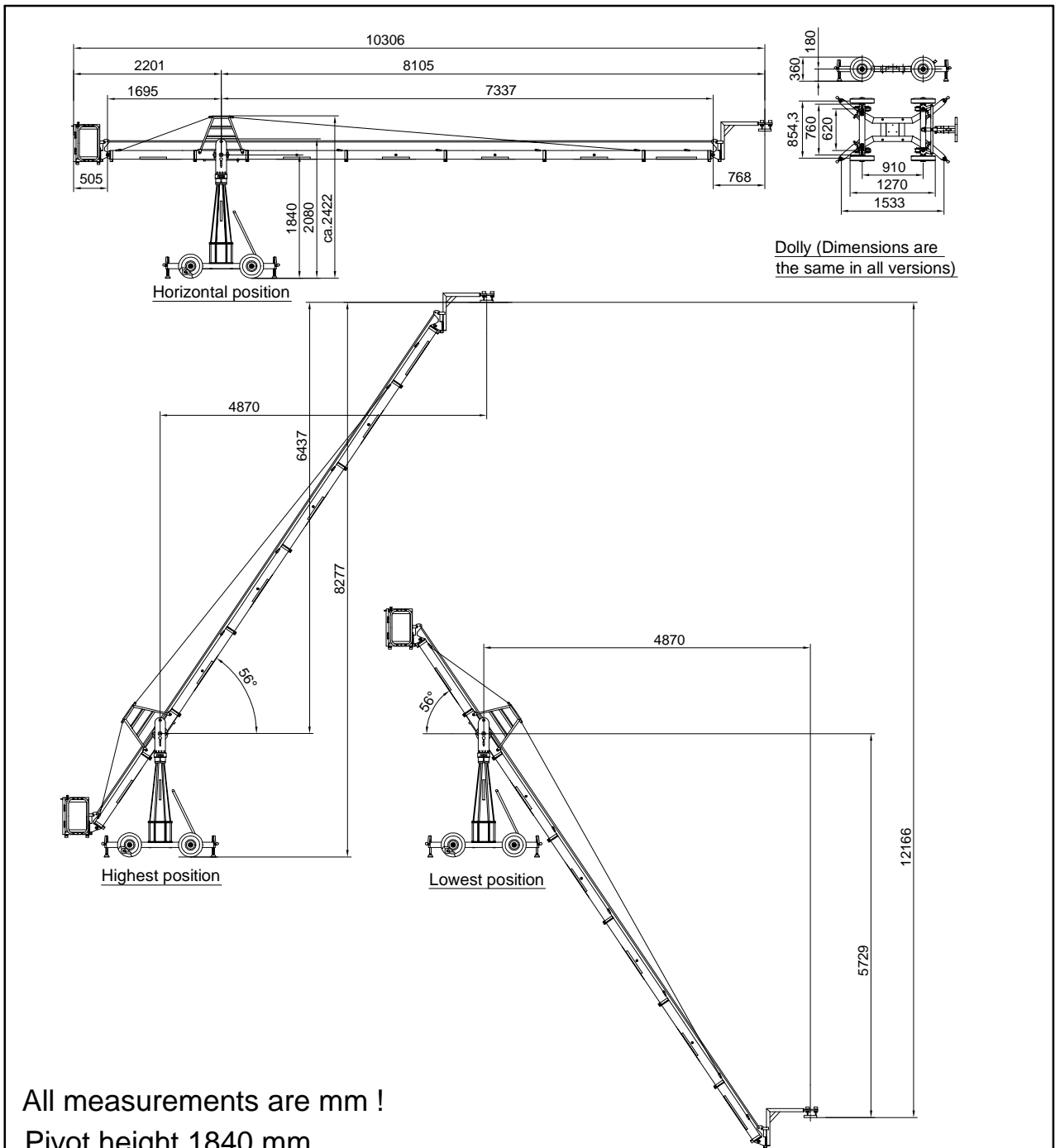
Version 15

Datenblatt- Nr.:

D140-V15d

	Name	Datum	Index	Datum	Name
Erstellt	Trautwig	07.01.03	c	27.07.05	Trautwig
Geprüft			d	19.09.05	Trautwig

Zugehörige Zeichnungs-Nr.:



Dolly (Dimensions are the same in all versions)

All measurements are mm !
 Pivot height 1840 mm
 Rear extension arm required 1270 mm

Front extension arms required	4x1500 mm	Transport height of middle section, assembled	2080 mm
	1x1000 mm	Transport height of rigging harness assembled	ca.2422 mm
	--	Counterweight required to balance empty arm	16x14 kg 1x4kg=228 kg
Rear extension arm required	1x 1270 mm	Max. lift capacity (Working load)	50 kg
Total lift range	12166 mm	Counterweight required vor max. load	34x14 kg 1x4 kg =480 kg
Maximum height	8277 mm		
Arm reach (pivot to camera head mount)	8105 mm	Dolly weight	112 kg
Length of rear end (pivot to outside of weight bucket)	2200 mm	Crane weight (excluding dolly and weights)	228 kg
Pivot height	1840 mm	Transport weight excluding counterweight	340 kg



GF 8-Specifications

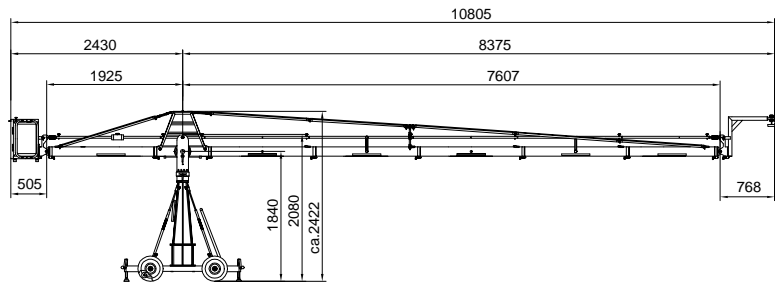
Version 16

Datenblatt- Nr.:

D140-V16d

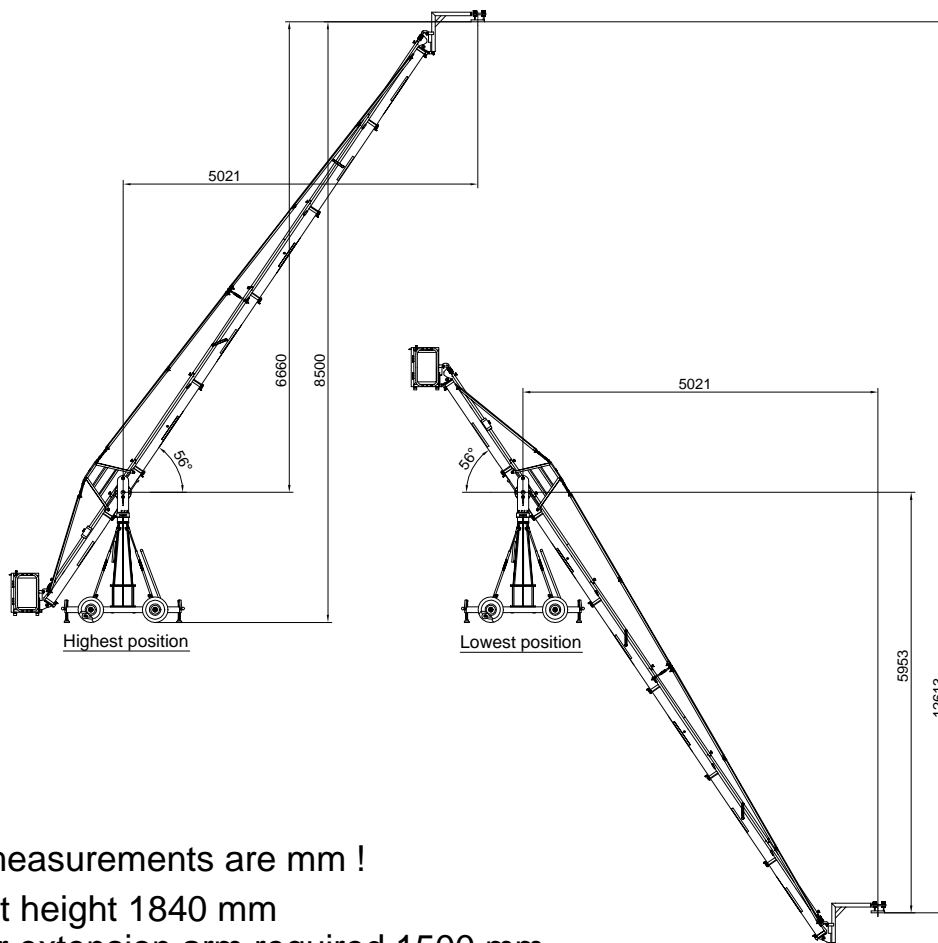
	Name	Datum	index	Datum	Name
Erstellt	Trautwig	07.01.03	c	27.07.05	Trautwig
Geprüft			d	19.09.05	Trautwig

Zugehörige Zeichnungs-Nr.:



Horizontal position

Dolly (Dimensions are the same in all versions)



All measurements are mm !
 Pivot height 1840 mm
 Rear extension arm required 1500 mm

Front extension arms required	4x1500 mm	Transport height of middle section, assembled	2080 mm
	1x1270 mm	Transport height of rigging harness assembled	ca.2422 mm
	--	Counterweight required to balance empty arm	15x14 kg +1x4 kg=214kg
Rear extension arm required	1x 1500 mm	Max. lift capacity (Working load)	50 kg
Total lift range	12613 mm	Counterweight required vor max. load	29x14 kg+ 1x8kg+1x4kg= 418 kg
Maximum height	8500 mm		
Arm reach (pivot to camera head mount)	8375 mm	Dolly weight	112 kg
Length of rear end (pivot to outside of weight bucket)	2430 mm	Crane weight (excluding dolly and weights)	239 kg
Pivot height	1840 mm	Transport weight excluding counterweight	351 kg



GF 8-Specifications

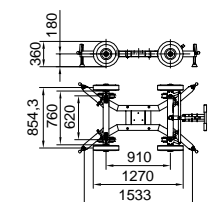
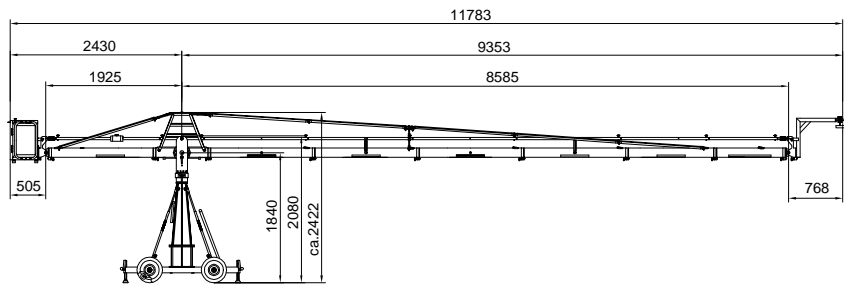
Version 17

Datenblatt- Nr.:

D140-V17a

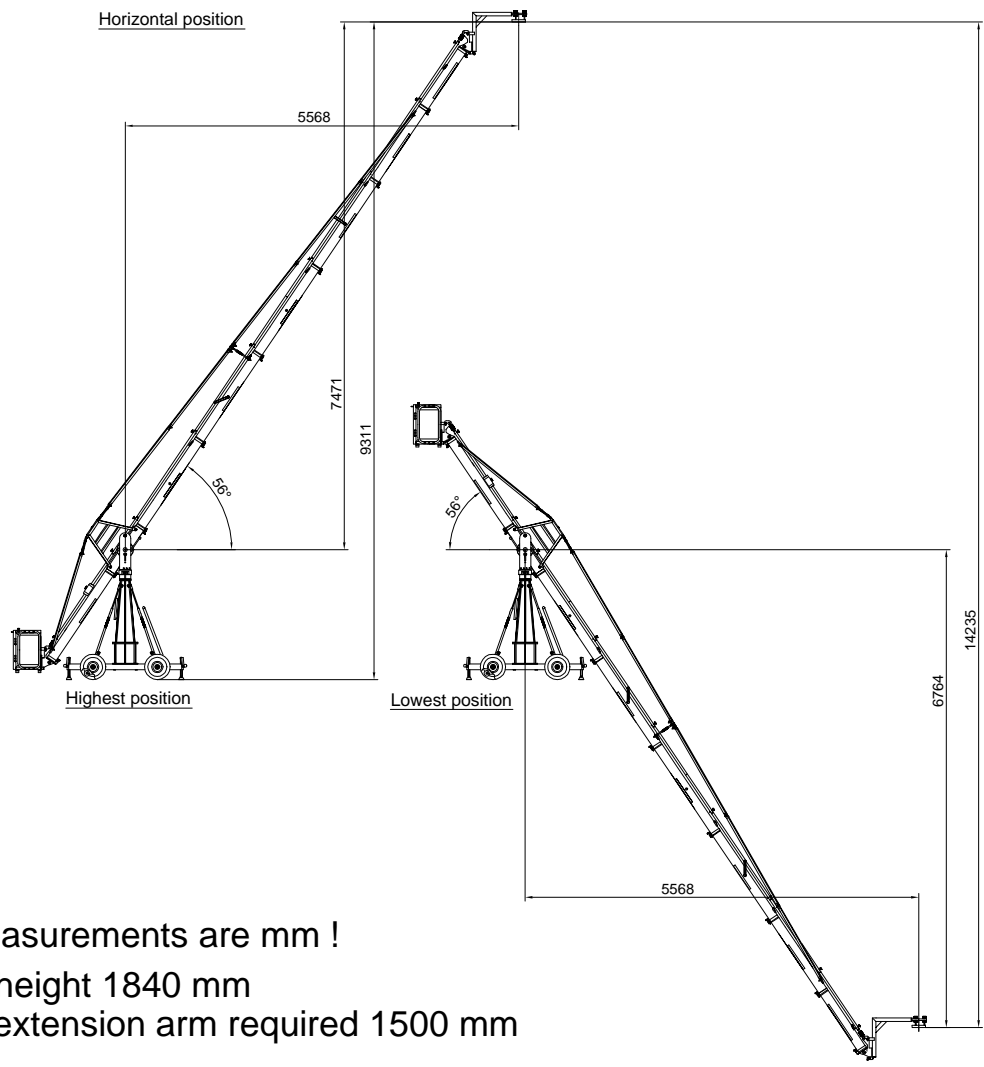
Name	Datum	Index	Datum	Name
Erstellt	Trautwig	04.01.06	.	.
Geprüft			.	.

Zugehörige Zeichnungs-Nr.:



Dolly (Dimensions are the same in all versions)

Horizontal position



Highest position

Lowest position

All measurements are mm !
 Pivot height 1840 mm
 Rear extension arm required 1500 mm

Front extension arms required	4x1500 mm	Transport height of middle section, assembled	2080 mm
	1x1270 mm	Transport height of rigging harness assembled	ca.2422 mm
	1x1000 mm	Counterweight required to balance empty arm	19x14kg+ 1x4kg=270 kg
Rear extension arm required	1x 1500 mm	Max. lift capacity (Working load)	50 kg
Total lift range	14235 mm	Counterweight required vor max. load	35x14kg+ 1x8 kg= 498 kg
Maximum height	9311 mm		
Arm reach (pivot to camera head mount)	9353 mm	Dolly weight	112 kg
Length of rear end (pivot to outside of weight bucket)	1925 mm	Crane weight (excluding dolly and weights)	251 kg
Pivot height	1840 mm	Transport weight excluding counterweight	363 kg



GF 8-Specifications

Version 18					Datenblatt- Nr.: D140-V18a	
	Name	Datum	Index	Datum	Name	Zugehörige Zeichnungs-Nr.:
Erstellt	Trautwig	04.01.06	.	.	.	
Geprüft			.	.	.	